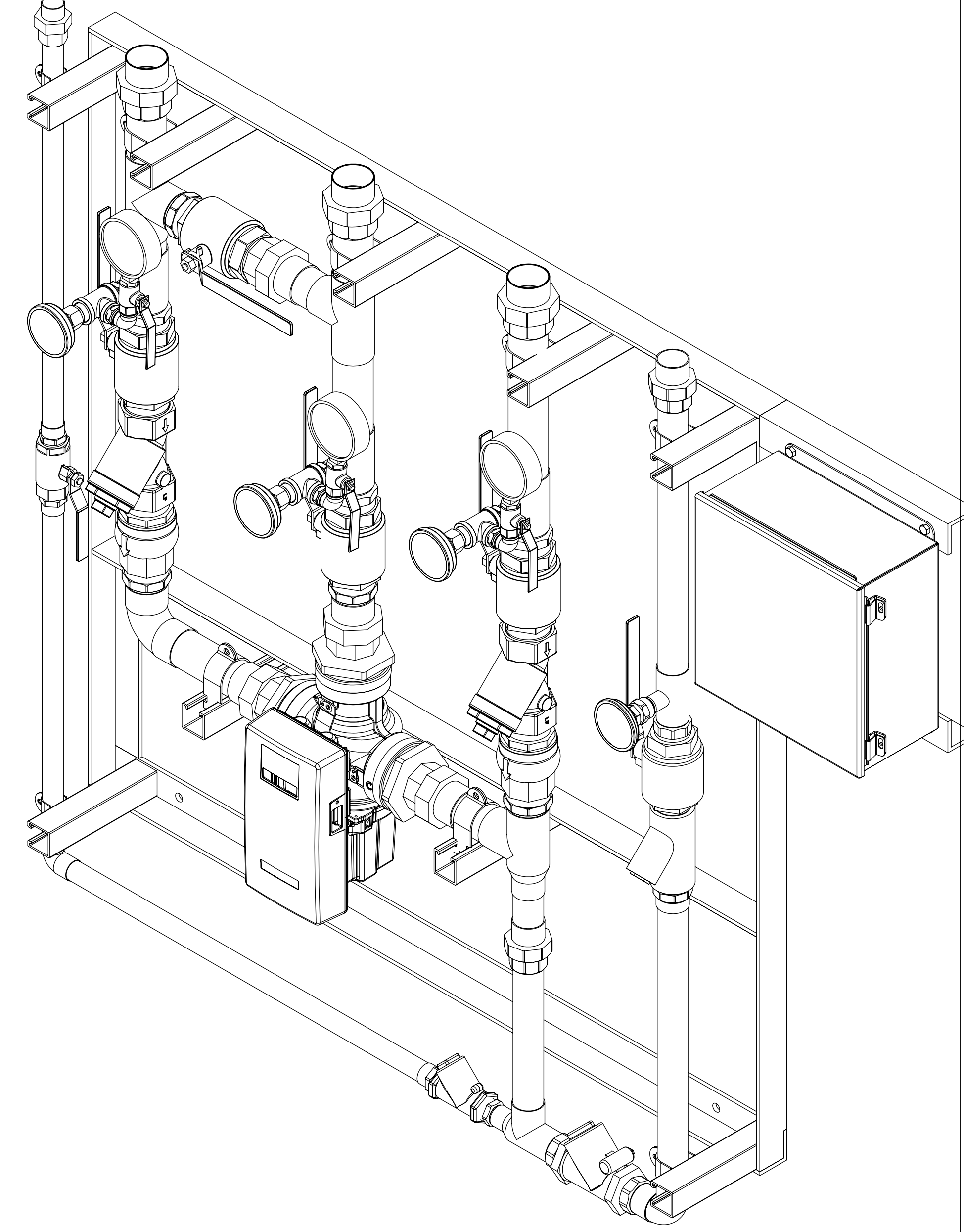
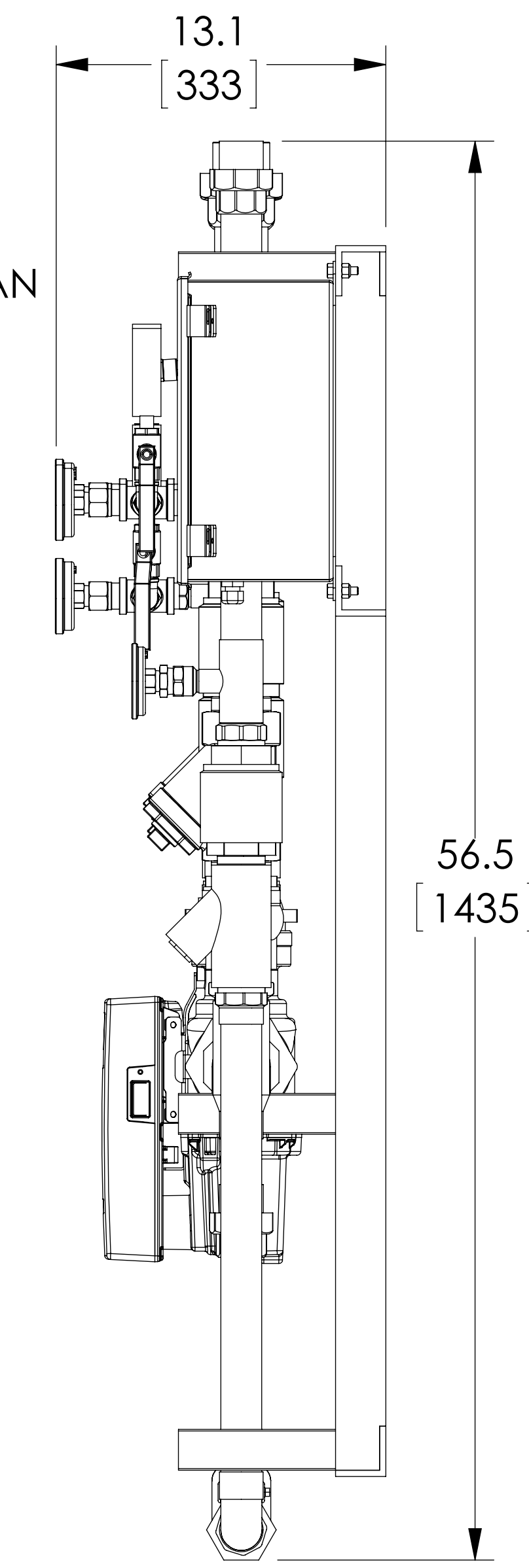


BRAINSCAN

- PRESSURE GAUGE THERMOMETER
- BALL VALVE
- STRAINER
- SPRING CHECK VALVE

DRV80 GEN 2

CHECK VALVE



NOTE:
ALL VALVES AND FITTINGS IN THIS ASSEMBLY CONTAIN LESS THAN 0.25% LEAD BY WEIGHTED AVERAGE

DO NOT SCALE DRAWING	
TOLERANCES UNLESS OTHERWISE SPECIFIED	
DIMENSIONING ENGLISH [mm]	
FRACTIONAL	± 1/64
ANGULAR:	± 2
DECIMAL	.XXXX ± .0005
	.XXX ± .005
	.XX ± .015
	.X ± .03

	NAME	DATE
DRAWN	Jon Singer	05/22/2012
RELEASED		

ARMSTRONG INTERNATIONAL
Copyright © 2010 ARMSTRONG INTERNATIONAL, INC.

DMC50BS 2 SWT 2 SWT 1-1/2 SWT CPR

MATERIAL	CN35962	REVE	DWG. D40812
		SHEET 1 OF 2	