

DIMENSIONS & DATA CERTIFIED FOR:

Representative:

Order:

Customer:

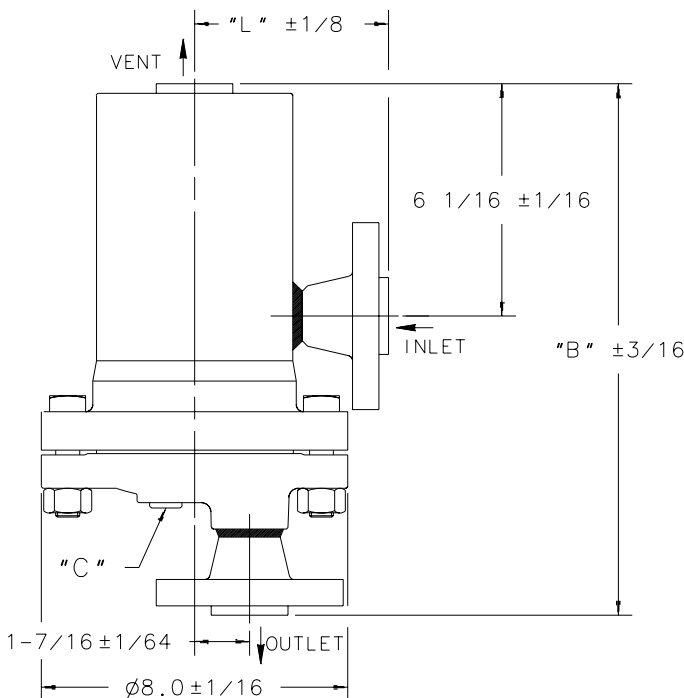
Order:

Project:

Requirements:

By:

Date:



1" CL. 600 Drainer shown above

DESCRIPTION	DIMENSIONS								
	FLANGE CLASS 150			FLANGE CLASS 300			FLANGE CLASS 600		
CONNECTION (FLG)	1/2" [DN15]	3/4" [DN20]	1" [DN25]	1/2" [DN15]	3/4" [DN20]	1" [DN25]	1/2" [DN15]	3/4" [DN20]	1" [DN25]
"B" (FACE TO FACE) [mm]	13-3/16" [335]	13-1/4" [337]	13-3/8" [340]	13-3/8" [340]	13-7/16" [341]	13-5/8" [346]	13-11/16" [348]	13-7/8" [352]	
"C" (PIPE PLUG)	3/4" NPT [DN20]								
"L" (Q OF VENT TO INLET) [mm]	4-9/32" [109]	4-15/32" [114]	4-19/32" [117]	4-15/32" [114]	4-21/32" [118]	4-27/32" [123]	4-23/32" [120]	4-29/32" [125]	5-3/32" [129]
WEIGHT [kgs]	49 lb [22]		51 lb [23]	49 lb [22]	53 lb [24]	54 lb [25]	50 lb [23]	53 lb [24]	54 lb [25]
MAXIMUM ALLOWABLE PRESSURE (VESSEL DESIGN)	1000 psig at 100°F [67 bar at 38°C] 600 psig at 750°F [40 bar at 399°C]								

LIST OF MATERIALS	
NAME OF PART	MATERIAL
BODY, CAP & FLANGES	ASTM A105
LEVER MECHANISM & FLOAT	STAINLESS STEEL
VALVE & SEAT	HARDENED STAINLESS STEEL
GASKET	NON-ASBESTOS
BOLT	ASTM A193 GR. B7
NUT	ASTM A194 GR. 2H
PLUG, PIPE	ASTM A108 GR. 1215

FLANGES COMPLY W/ANSI B16.5

Armstrong International, Inc.
Three Rivers Division
Three Rivers, MI 49093
Armstrong (616) 273-1415 Fax(616) 278-6555

Product	CD No.	Date
2313 HLS DRAINER FLG. FORGED STEEL 1/2", 3/4" & 1" CL. 150, 300 & 600	1065	9/10/96
		Rev. A